

KOMATSU®

PC138US-8

HORSEPOWER

Gross: 72.1 kW 96.6 HP @ 2200 rpm

Net: 68.4 kW 91.7 HP @ 2200 rpm

OPERATING WEIGHT

13480–13850 kg 29,720–30,540 lb

BUCKET CAPACITY

0.18–0.6 m³ 0.24–0.78 yd³

ecot3

PC
138us



Photo may include optional equipment.

HYDRAULIC EXCAVATOR

WALK-AROUND

Komatsu's PC138US-8 Series Hydraulic Excavators have a short tail swing profile, designed specifically for work in confined areas. By reducing tail swing, the PC138US-8 is perfect for work on road ways, bridges, in urban areas, or anywhere space is limited. The PC138US-8 Series provides the performance and productivity you expect from Komatsu equipment.

Ecology and Economy Features

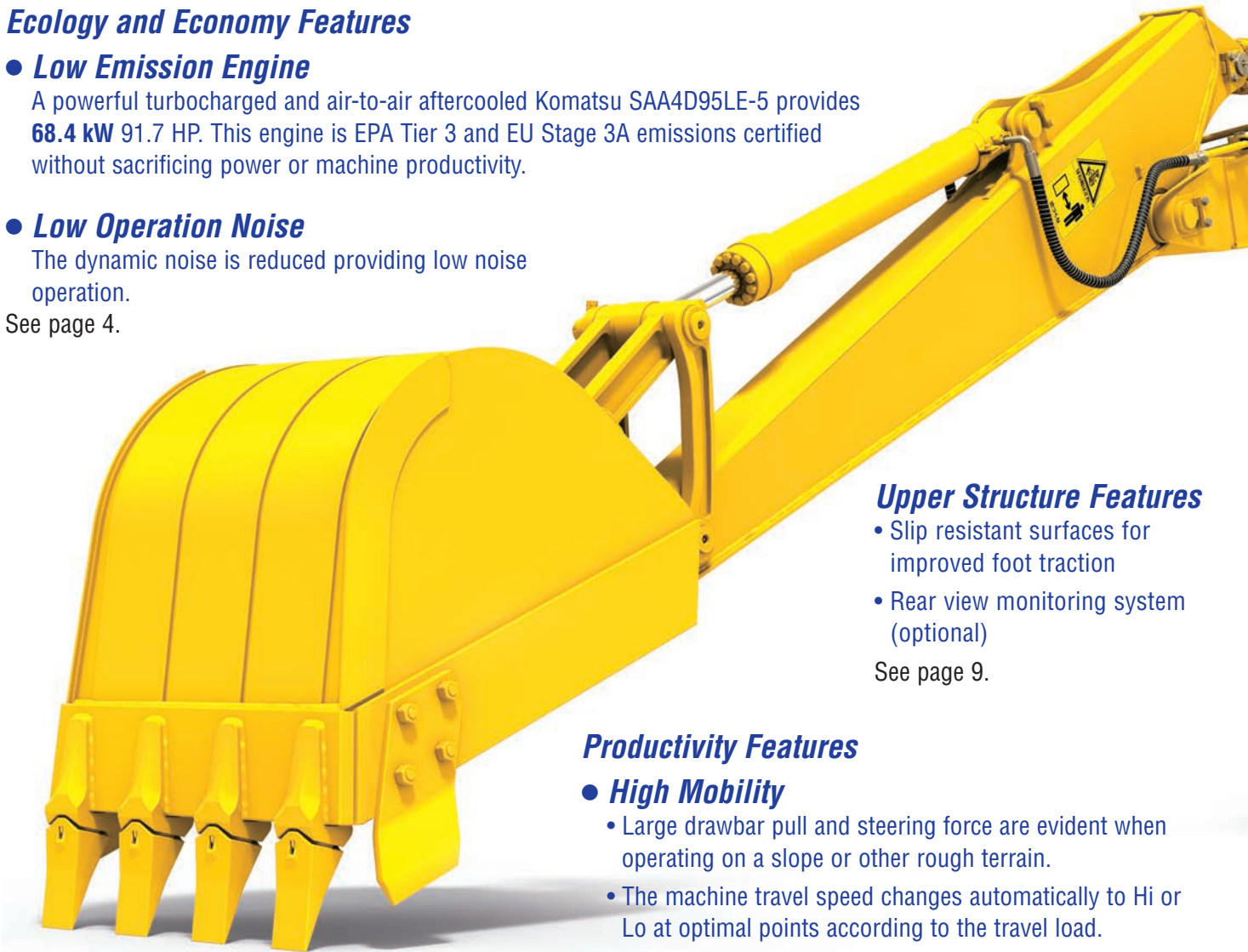
● ***Low Emission Engine***

A powerful turbocharged and air-to-air aftercooled Komatsu SAA4D95LE-5 provides **68.4 kW** 91.7 HP. This engine is EPA Tier 3 and EU Stage 3A emissions certified without sacrificing power or machine productivity.

● ***Low Operation Noise***

The dynamic noise is reduced providing low noise operation.

See page 4.



Upper Structure Features

- Slip resistant surfaces for improved foot traction
- Rear view monitoring system (optional)

See page 9.

Productivity Features

● ***High Mobility***

- Large drawbar pull and steering force are evident when operating on a slope or other rough terrain.
- The machine travel speed changes automatically to Hi or Lo at optimal points according to the travel load.

See page 5.

● ***High Stability***

The PC138US-8 offers exceptional lifting capacity and high stability with a large counterweight.

See page 5.

● ***Mode Selection***

- Five working modes designed to match engine speed, pump delivery and system pressure.

See page 5.

Operation Features

● **Small Tail Swing**

- Excellent operation in tight quarters with small tail swing radius design
- Round profile provides short protrusion of front and rear portion of the upper structure.
- Occupies small road width for operation on narrow roads.

See pages 6 and 7.

- **Wider Working Ranges** : Job sites that require a long upper reach, such as demolition and slope cutting also benefit from the increased digging and dumping ranges of the PC138US-8.

See page 7.



Photo may include optional equipment.

HORSEPOWER

Gross: 72.1 kW 96.6 HP @ 2200 rpm

Net: 68.4 kW 91.7 HP @ 2200 rpm

OPERATING WEIGHT

13480 – 13850 kg

29,720 – 30,540 lb

BUCKET CAPACITY

0.18 – 0.6 m³

0.24 – 0.78 yd³

Large TFT LCD Monitor

- Easy-to-see and use 7" large multi-function color monitor
- Can be displayed in 12 languages for global support.

TFT : Thin Film Transistor
LCD : Liquid Crystal Display

See page 11.

Large Comfortable Cab

- ROPS cab (ISO 12117-2)
- Low noise cab design with viscous cab mounting
- Sliding convex door facilitates easy entrance in confined areas.
- Large cab improves working space.

See page 8.

Easy Maintenance

- Long replacement interval of hydraulic oil and hydraulic filter
- Remote mounted engine oil filter and fuel drain valve for easy access
- Equipped with the fuel pre-filter as standard (with water separator)
- Side-by-side cooling function enables only the cooling unit to be attached and detached.
- Equipped with the Equipment Management Monitoring System (EMMS) monitoring system.

See pages 10 and 11.

Excellent Reliability and Durability

- High rigidity work equipment
- Sturdy frame structure
- Reliable Komatsu manufactured major components

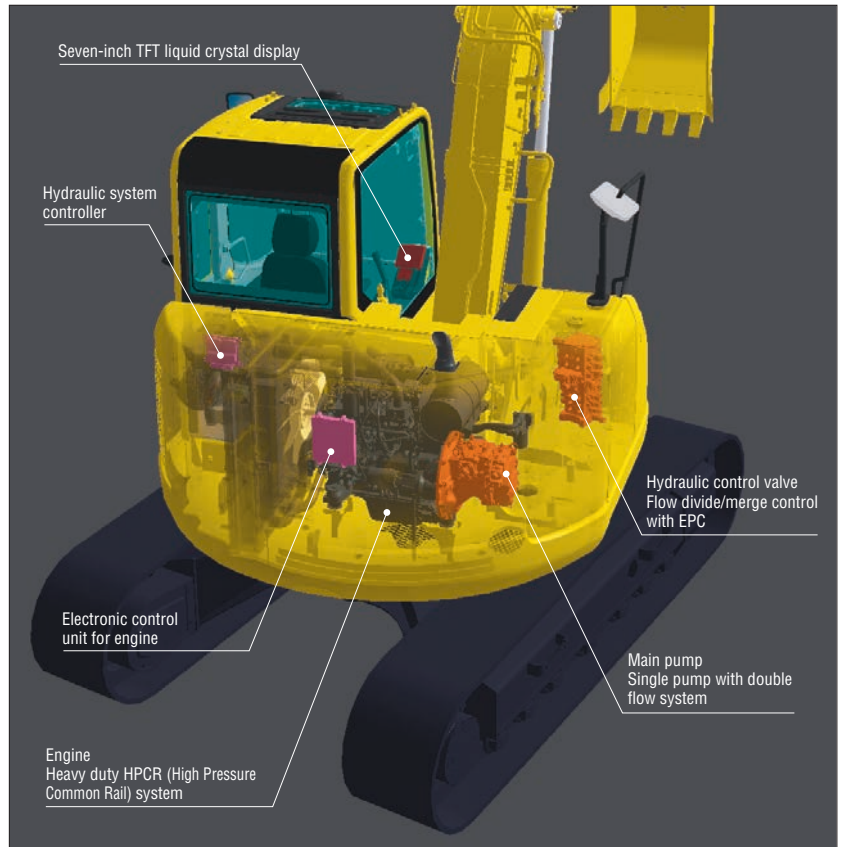
See page 11.

PRODUCTIVITY & ECOLOGY FEATURES

Komatsu Technology

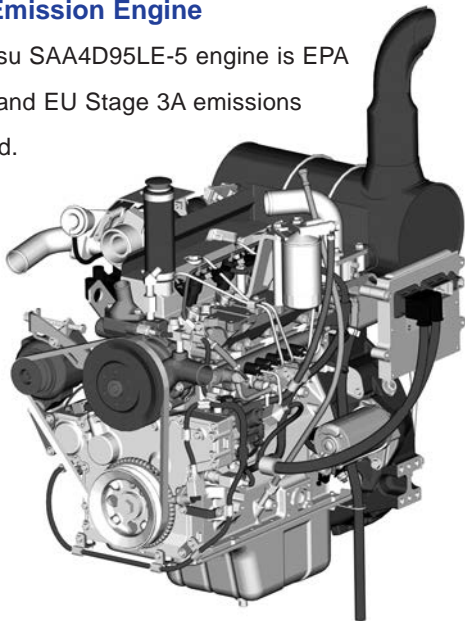


Komatsu develops and produces all major components in house such as engines, electronics and hydraulic components. Combining “Komatsu Technology”, and customer feedback, Komatsu is achieving great advancements in technology. To achieve both high levels of productivity and economical performance, Komatsu has developed the main components with a total control system. The result is a new generation of high performance and environment-friendly excavators.



Low Emission Engine

Komatsu SAA4D95LE-5 engine is EPA Tier 3 and EU Stage 3A emissions certified.



Low Operation Noise

Enables low noise operation using the low-noise engine and methods to cut noise at source.

Electronically controlled common rail type engine

- Multi-staged injection

Low noise design

- Optimal arrangement of sound absorbing materials
- Partition between the cab and engine room
- Airtight valve room



Large Digging Force

The PC138US-8 has a large bucket digging force and arm crowd force, that facilitates digging hard rock-bed.

	PC138US-8	PC120-6*
Bucket digging force (ISO rating)	93.2 kN 9500 kgf 20,950 lbf	93.4 kN 9520 kgf 20,990 lbf
Arm crowd force (ISO rating)	61.8 kN 6300 kgf 13,890 lbf	63.7 kN 6500 kgf 14,330 lbf

*PC120-6 measured with power max.

High Mobility

The PC138US-8 exceptional travel performance is provided by single pump with double flow, and it demonstrates superb maneuverability while operating at its optimum travel speed. It exhibits a large drawbar pull for moving on job sites, traveling in rough terrain and climbing steep slopes.



High Stability

The PC138US-8 offers exceptional lifting capacity and high stability with a large cast-iron counterweight that requires no additional clearance.

	PC138US-8	PC120-6
Lifting capacity*	1290 kg 2,850 lb	1150 kg 2,500 lb
Weight of counterweight	3250 kg 7,160 lb	2255 kg 4,960 lb

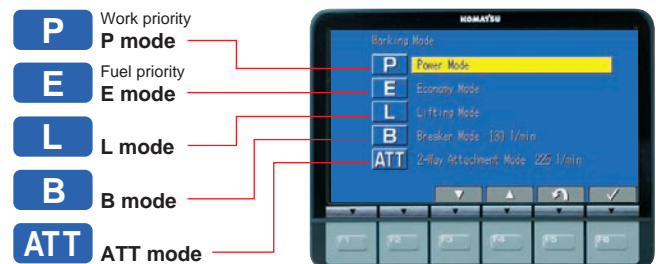
*At maximum reach, ground level height and overside.



Working Modes Selectable

The PC138US-8 excavator is equipped with five working modes (P, E, L, B and ATT mode). Each mode is designed to match engine speed and pump speed with the current application. This provides the flexibility to match equipment performance to the job at hand.

Working Mode	Application	Advantage
P	Power mode	<ul style="list-style-type: none"> Maximum production/power Fast cycle times
E	Economy mode	<ul style="list-style-type: none"> Good cycle times Better fuel economy
L	Lifting mode	<ul style="list-style-type: none"> Suitable attachment speed
B	Breaker mode	<ul style="list-style-type: none"> Optimum engine rpm, hydraulic flow
ATT	Attachment mode	<ul style="list-style-type: none"> Optimum engine rpm, hydraulic flow, 2way



Eco-gauge that Assists Energy-saving Operations

The Eco-gauge on the right side of the multi-function color monitor provides environment-friendly energy-saving operation. Allows focus on operation in the green range with reduced CO₂ emissions and efficient fuel consumption.



Idling Caution

To prevent unnecessary fuel consumption, an idling caution is displayed on the monitor, if the engine idles for 5 minutes or more.



OPERATION FEATURES

Safe Operation with Small Tail Swing Even in Confined Areas

Short Implement Swing Radius:

1980 mm 6'6" boom raising angle of the PC138US-8 is larger than a conventional machine. The result is reduced front implement swing radius.

Minimum implement swing radius
1980 mm 6'6"



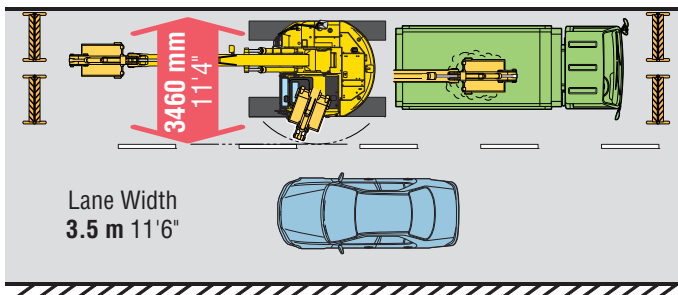
Short Tail Swing Radius:

1480 mm 4'10" The short tail swing radius of the PC138US-8 allows the machine to work in more confined areas than a conventional machine.

Tail swing radius
1480 mm 4'10"

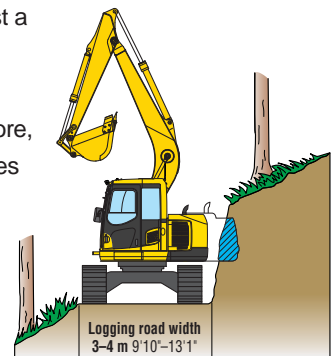
Roadwork

When performing roadwork, protrusion of the machine into the unoccupied lane is kept minimal since the rear portion of the upper structure protrudes slightly from the track at swing. This allows a dump truck to be positioned closer to the track of the machine. The operator is able to load materials efficiently onto the front of the dump body at ease since ample dumping reach is assured for the loading. Large working space is not required for the machine.



Logging and forest roadwork

Since the protrusion of the rear portion of the upper structure is kept minimal, there is less possibility of the counterweight hitting against a tree or a slope, allowing the operator to operate the machine at ease. Furthermore, large digging height facilitates slope finishing work. Large drawbar pull assures smooth and powerful traveling even on rough terrain.

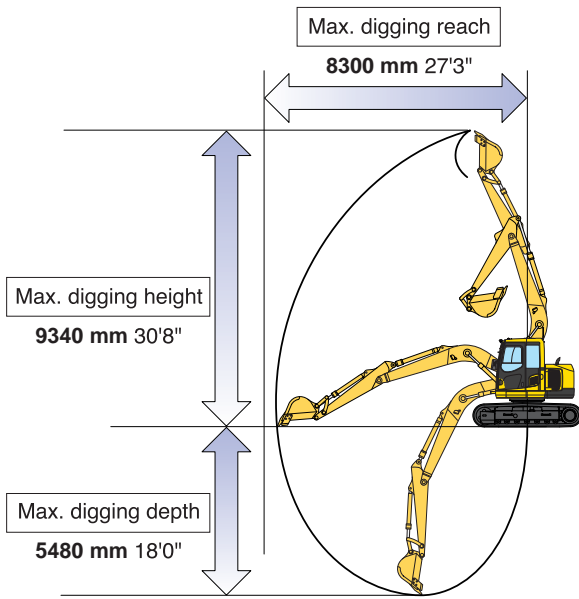


Demolition

The machine needs less working space and can perform efficient demolition work since it has large and ample digging height.

Wider Working Ranges

Raising the boom on the PC138US-8 to a wider angle enhances overall working performance. Job sites that require a long upper reach, such as demolition and slope cutting, also benefit from the increased digging and dumping ranges of the PC138US-8.



Maximum digging height	9340 mm 30'8"
Maximum digging depth	5480 mm 18'0"
Maximum dumping height	6840 mm 22'5"

Round Profile of both Front and Rear Portion of the Upper Structure

Komatsu hydraulic excavators with small tail swing radius design adopt the round profile for both left and right corners of the front portion of the upper structure as well as its rear portion that features less protrusion from the track at swing. The round profile design allows the machine to work in tight quarters.



Photo may include optional equipment.

WORKING ENVIRONMENT

PC138US-8 cab interior is spacious and provides a comfortable working environment...

Large Comfortable Cab

Multi-position Controls

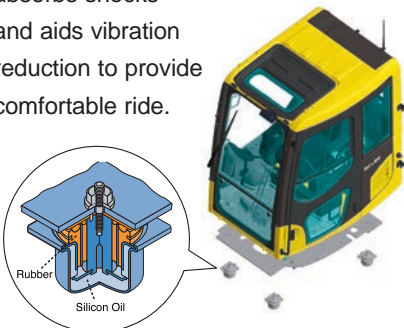
The multi-position, PPC (pressure proportional control) levers allow the operator to work in comfort while maintaining precise control. A double-slide mechanism allows the seat and controllers to move together or independently, allowing the operator to position the seat and controllers for maximum productivity and comfort.

Low Cab Noise

Cab is highly rigid and has excellent sound absorption ability. Thorough improvement of noise source reduction and use of low noise engine, hydraulic equipment, and air conditioner allows this machine to generate a low level of noise.

Comfortable Ride with Viscous Cab Mounts

Viscous mounts are adopted for cab mount system. The cab mount system absorbs shocks and aids vibration reduction to provide comfortable ride.



Pressurized Cab

Auto air conditioner, air filter and a higher internal air pressure prevent external dust from entering the cab.



Large Cab

Large cab provides ample operation space. The cab has wide doorway for easy access.



Automatic Air Conditioner

Automatic air conditioner is utilized. The bi-level control function keeps the operator's head and feet cool and warm respectively. This improved air flow function keeps the inside of the cab comfortable throughout the year. Defroster function keeps cab glass clear.

Sliding Convex Door

The sliding convex door facilitates easy entrance in confined areas.



Features

ROPS Cab

The machine is equipped with a ROPS cab that conforms to ISO 12117-2 for excavators as standard equipment. The ROPS cab has high shock-absorption performance, featuring excellent durability and impact strength. It also satisfies the requirements of ISO OPG top guard level 1 for falling objects. Combined with the retractable seat belt, The ROPS cab protects the operator in case of tipping over and against falling objects.



Retractable Seat Belt

Easy-to-use retractable seat belt is employed.



Tempered and Tinted Glass

The glass features high strength and blocks ultraviolet rays.

Emergency Escape Hammer

The cab is equipped with an emergency escape hammer for breaking the rear window glass in case of an emergency.

Travel Alarm

An alarm is installed as standard equipment to give other workers a warning when the machine travels in forward or reverse.

Pump/engine Room Partition

Pump/engine room partition prevents oil from spraying on the engine if a hydraulic hose should burst.

Slip-resistant Plates

Highly durable slip resistant plates maintain superior foot traction performance.



Lock Lever

When lock lever is placed in lock position all hydraulic controls (travel, swing, boom, arm and bucket) are inoperable.



Lever shown in lock position

Rear View Monitoring System (optional)



The operator can view the rear of the machine with a color monitor screen.

Monitor for rear view camera



Wide Visibility

The right side window pillar has been removed and the rear pillar reshaped to provide improved visibility.



Skylight

Skylight with window can be opened for overhead visibility.



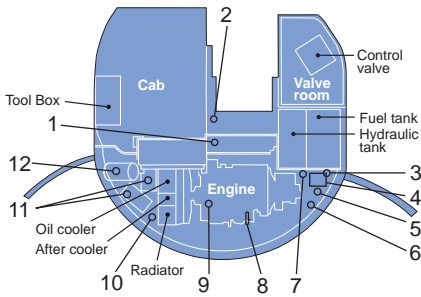
MAINTENANCE FEATURES

Easy Maintenance

Komatsu designed the PC138US-8 to have easy service access. By doing so, routine maintenance and servicing are less likely to be skipped, which can mean a reduction in costly downtime later on. Here are some of the many service features found on the PC138US-8.

Optimum Maintenance Layout

With the left and right side service doors, it is possible to access the major maintenance points from ground level. Furthermore, the fuel drain valve, engine oil filter, swing machinery oil filler, and PTO oil filler are remote mounted, facilitating easy maintenance.



- 1. Swing machinery oil filler
- 2. Swing machinery dip stick
- 3. Fuel filter (with water separator)
- 4. Coolant reserve tank
- 5. Fuel drain valve
- 6. PTO oil filler
- 7. Engine oil filter
- 8. Engine oil dipstick
- 9. Engine oil filler
- 10. Windshield washer tank
- 11. Batteries
- 12. Air cleaner

Equipped with the Fuel Pre-filter (with Water Separator)

Removes water and contaminants in the fuel to prevent fuel problems.



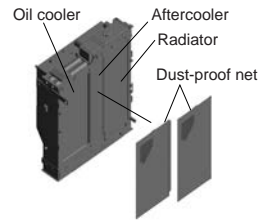
Washable Floor

The PC138US-8's floor is easy to keep clean. The gently inclined surface has a flanged floor mat and drainage holes to facilitate run off.



Side-by-side Cooling

The oil cooler, aftercooler and radiator are installed side by side. As a result, it is very easy to clean the radiator, etc. In addition, the operator can remove and install the aftercooler, radiator and oil cooler in a short time.



Large Tool Box

Large tool box provides plenty of space. Grease pump storage space is also provided.



Photo may include optional equipment.

Maintenance Costs Reduced

Eco-white Filter Element

High performance filters are used in the hydraulic circuit and engine. Longer hydraulic oil, hydraulic oil filter, engine oil and engine oil filter element replacement intervals significantly reduce maintenance costs.

- Engine oil & Engine oil filter** every **500** hours
- Hydraulic oil** every **5000** hours
- Hydraulic oil filter** every **1000** hours



Long Greasing Interval

Special hard material is used for the bushings of the work equipment to lengthen greasing interval. All bushing lubrication intervals of work equipment except arm top bushing are 500 hours, reducing maintenance costs.

Large TFT LCD Monitor

Large multi-lingual LCD Monitor

A large user-friendly color monitor enables safe, accurate and smooth work. Improved screen visibility is achieved by the use of TFT liquid crystal display that can easily be read at various angles and lighting conditions. Simple and easy to operate switches. Industry first function keys facilitate multi-function operations. Displays data in 12 languages to globally support operators around the world.



- Indicators**
- 1 Auto-decelerator
 - 2 Working mode
 - 3 Travel speed
 - 4 Engine water temperature gauge
 - 5 Hydraulic oil temperature gauge
 - 6 Fuel gauge
 - 7 Eco-gauge
 - 8 Function switches menu
- Basic operation switches**
- 1 Auto-decelerator
 - 2 Working mode selector
 - 3 Traveling selector
 - 4 Buzzer cancel
 - 5 Wiper
 - 6 Windshield washer

EMMS (Equipment Management Monitoring System)

Monitor function

Controller monitors engine oil level, coolant temperature and battery charge, etc. If controller finds any abnormality, it is displayed on the LCD.



Maintenance function

Monitor informs replacement time of oil and filters on LCD when the replacement interval is reached.



Trouble data memory function

Monitor stores abnormalities for effective troubleshooting.

Excellent Reliability and Durability

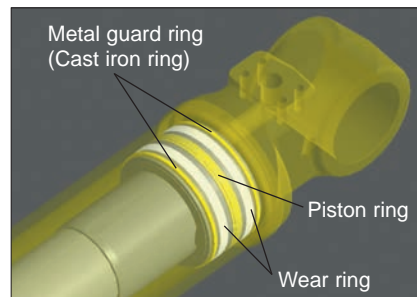
High Rigidity Work Equipment

Boom and arms are constructed of thick plates of high tensile strength steel. In addition, these structures are designed with large cross-sectional areas and generous use of castings. The result is working attachments that exhibit long term durability and high resistance to bending and torsional stress.

Sturdy Frame Structure

The revolving frame, center frame and undercarriage are designed by using the most advanced three-dimensional CAD and FEM analysis technology.

Metal Guard Rings Protect all the Hydraulic Cylinders and Improve Reliability.

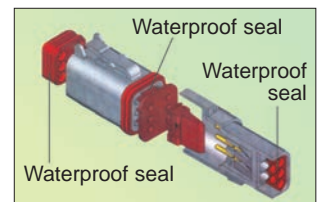


Reliable Components

All of the major machine components, such as engine, hydraulic pump, hydraulic motors and control valves are exclusively designed and manufactured by Komatsu.

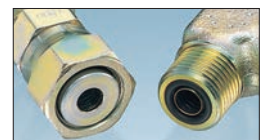
DT-type Connectors

DT-type connectors seal tight and have higher reliability.



O-ring Face Seal

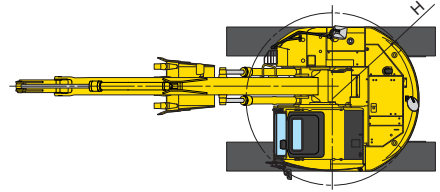
The hydraulic hose seal method has been changed from a conventional taper seal to an O-ring seal. This provides improved sealing performance.



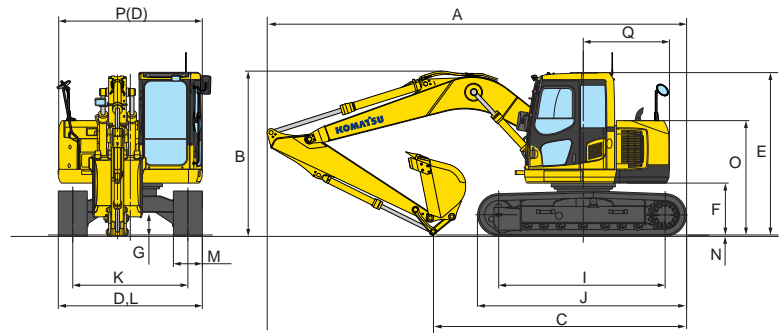


DIMENSIONS

	Boom Length	4600 mm 15'1"	4600 mm 15'1"	4600 mm 15'1"
	Arm Length	2500 mm 8'2"	3000 mm 9'10"	2100 mm 6'11"
A	Overall length	7260 mm 23'10"	7160 mm 23'6"	7275 mm 23'10"
B	Overall height (to top of boom)	2850 mm 9'4"	3210 mm 10'6"	2690 mm 8'10"
C	Length on ground (transport)	4400 mm 14'5"	4290 mm 14'1"	4660 mm 15'3"

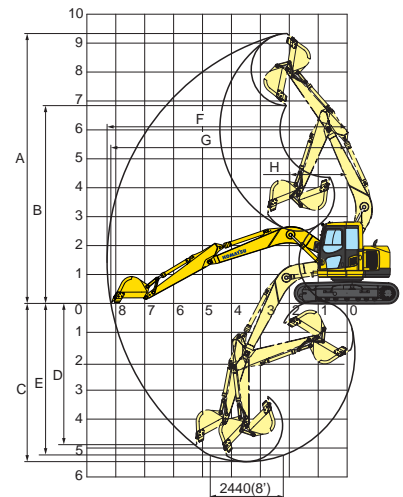


D	Overall width	2490 mm 8'2"
E	Overall height (to top of cab)	2815 mm 9'3"
F	Ground clearance, counterweight	900 mm 2'11"
G	Minimum ground clearance	395 mm 1'4"
H	Tail swing radius	1480 mm 4'10"
I	Length of track on ground	2880 mm 9'5"
J	Track length	3610 mm 11'10"
K	Track gauge	1990 mm 6'6"
L	Width of crawler	2490 mm 8'2"
M	Shoe width	500 mm 19.7"
N	Grouser height	20 mm 0.8"
O	Machine cab height	1980 mm 6'6"
P	Machine cab width	2490 mm 8'2"
Q	Distance swing center to rear end	1480 mm 4'10"



WORKING RANGE

	Boom	4600 mm 15'1"	4600 mm 15'1"	4600 mm 15'1"
	Arm	2500 mm 8'2"	3000 mm 9'10"	2100 mm 6'11"
A	Maximum digging height	9340 mm 30'8"	9700 mm 31'10"	9020 mm 29'7"
B	Maximum dumping height	6840 mm 22'5"	7350 mm 24'1"	6525 mm 21'5"
C	Maximum digging depth	5480 mm 18'0"	5900 mm 19'4"	5070 mm 16'8"
D	Maximum vertical wall digging depth	4900 mm 16'1"	5340 mm 17'6"	4490 mm 14'9"
E	Maximum digging depth of cut for 2440 mm 8' level	5265 mm 17'3"	5715 mm 18'9"	4830 mm 15'10"
F	Maximum digging reach	8300 mm 27'3"	8720 mm 28'7"	7930 mm 26'0"
G	Maximum digging reach at ground	8180 mm 26'10"	8600 mm 28'3"	7805 mm 25'7"
H	Minimum swing radius	1980 mm 6'6"	2265 mm 7'5"	1845 mm 6'1"
ISO	Bucket digging force	93.2 kN 9500 kgf 20,950 lbf	88.3 kN 9000 kgf 19,840 lbf	88.3 kN 9000 kgf 19,840 lbf
	Arm crowd force	61.8 kN 6300 kgf 13,890 lbf	55.9 kN 5700 kgf 12,570 lbf	71.6 kN 7300 kgf 16,090 lbf
SAE	Bucket digging force	81.4 kN 8300 kgf 18,300 lbf	78.0 kN 7950 kgf 17,530 lbf	78.0 kN 7950 kgf 17,530 lbf
	Arm crowd force	60.8 kN 6200 kgf 13,670 lbf	54.4 kN 5550 kgf 12,240 lbf	69.6 kN 7100 kgf 15,650 lbf



BACKHOE BUCKET AND ARM COMBINATION

Bucket Capacity (heaped)		Width		Weight	Number of Teeth	Arm Length		
SAE, PCSA	CECE	Without Side Cutters	With Side Cutters			2500 mm 8'2"	3000 mm 9'10"	2100 mm 6'11"
0.18 m ³ 0.24 yd ³	0.16 m ³ 0.21 yd ³	450 mm 17.7"	570 mm 22.4"	256 kg 565 lb	3	○	○	○
0.28 m ³ 0.37 yd ³	0.26 m ³ 0.34 yd ³	600 mm 23.6"	720 mm 28.3"	303 kg 670 lb	3	○	○	○
0.36 m ³ 0.50 yd ³	0.33 m ³ 0.43 yd ³	700 mm 27.6"	820 mm 32.3"	330 kg 730 lb	4	○	○	○
0.50 m ³ 0.65 yd ³	0.45 m ³ 0.59 yd ³	859 mm 33.8"	979 mm 38.5"	399 kg 880 lb	4	○	X	○
0.60 m ³ 0.78 yd ³	0.55 m ³ 0.72 yd ³	1000 mm 39.4"	NA	436 kg 960 lb	5	□	X	□

○—General digging □—Light-duty operation X—Not available

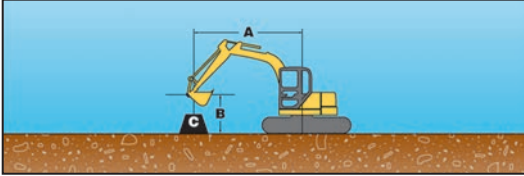


OPTIONAL EQUIPMENT

- Additional counterweight (500 kg 1,100 lb)
- Additional filter system for poor-quality fuel
- Alternator, 60A
- Arm, 3000 mm 9'10"
- Arm, 2100 mm 6'11"
- Blade assembly (Bolt-on cutting edge type)
- Blade assembly (Welded cutting edge type)
- Hydraulic control unit —1 additional actuator
- Rear view monitoring system
- Shoes —600 mm 24" triple grouser —700 mm 28" triple grouser —500 mm 20" rubber pad (road liner)
- Track roller guard
- Track frame undercover
- Travel motor (Increased drawbar pull type)



LIFTING CAPACITY



Equipment:

- Boom: 4.6 m 15'1"
- Bucket: 0.50 m³ 0.65 yd³
- Counterweight: 3250 kg 7,160 lb

- A: Reach from swing circle
- B: Bucket hook height
- C: Lifting capacity
- Cf: Rating over front
- Cs: Rating over side
- ⊗: Rating at maximum reach

PC138US-8		Shoe: 500 mm 20"		Arm: 2.5 m 8'2"				Unit: kg lb	
B	A	3.0 m 10'		4.6 m 15'		6.1 m 20'		⊗ Maximum	
		Cf	Cs	Cf	Cs	Cf	Cs	Cf	Cs
6.1 m 20'				*3060 *6,750	*3060 *6,750			*1690 *3,730	*1690 *3,730
3.0 m 10'		*5770 *12,720	*5770 *12,720	*4320 *9,530	2990 6,600	2880 6,350	1830 4,040	*1580 *3,490	1370 3,040
0.0 m 0'		*5630 *12,420	4840 10,670	4260 9,390	2600 5,730	2690 5,950	1660 3,680	*1940 *4,280	1290 2,850
-3.0 m -10'		*6040 *13,330	4820 10,640	4180 9,230	2540 5,600			3000 6,630	1850 4,090

PC138US-8		Shoe: 500 mm 20"		Arm: 3.0 m 9'10"				Unit: kg lb	
B	A	3.0 m 10'		4.6 m 15'		6.1 m 20'		⊗ Maximum	
		Cf	Cs	Cf	Cs	Cf	Cs	Cf	Cs
6.1 m 20'				*2690 *5,940	*2690 *5,940	*1580 *3,480	*1580 *3,480	*1380 *3,050	*1380 *3,050
3.0 m 10'		*3690 *8,150	*3690 *8,150	*3740 *8,250	3040 6,700	2900 6,390	1850 4,080	*1280 *2,830	1200 2,660
0.0 m 0'		*5990 *13,200	4830 10,660	4240 9,360	2580 5,700	2670 5,900	1640 3,630	*1530 *3,370	1120 2,480
-3.0 m -10'		*5990 *13,210	4680 10,330	4100 9,040	2450 5,410	2620 5,780	1590 3,520	2510 5,540	1530 3,370

PC138US-8		Shoe: 500 mm 20"		Arm: 2.1 m 6'11"				Unit: kg lb	
B	A	3.0 m 10'		4.6 m 15'		6.1 m 20'		⊗ Maximum	
		Cf	Cs	Cf	Cs	Cf	Cs	Cf	Cs
6.1 m 20'				*3240 *7,150	3120 6,890			*2100 *4,650	*2100 *4,650
3.0 m 10'		*6480 *14,300	5720 12,620	*4630 *10,220	2940 6,500	2850 6,290	1810 4,000	*1950 *4,310	1510 3,340
0.0 m 0'		*5570 *12,280	4800 10,590	4240 9,360	2590 5,710	2700 5,950	1670 3,680	2310 5,090	1420 3,140
-3.0 m -10'		*6270 *13,830	4880 10,770	4,230 9,340	2580 5,700			3500 7,710	2160 4,770

* Load is limited by hydraulic capacity rather than tipping. Ratings are based on SAE Standard No. J/ISO 10567. Rated loads do not exceed 87% of hydraulic lift capacity or 75% of tipping load.

www.Komatsu.com

Printed in Japan 201403 IP.As

KOMATSU®

CEN00183-06

Materials and specifications are subject to change without notice.
KOMATSU is a trademark of Komatsu Ltd. Japan.